

# Soot blowers

**Challenge:** **Soot blower reliability.** Repairs and maintenance on soot blowers are common due to their operation in extreme ambient temperatures with contamination from soot and ash. Blower access is also difficult, and great care is needed to ensure personnel safety during maintenance and to protect surrounding assets.

**Solution:** **Protect your soot blowers with Mobil SHC™ synthetic lubricants** designed to minimize maintenance by reducing component wear and extending oil life at elevated temperatures, helping you to enhance equipment reliability and personnel safety.

Compared to conventional lubricants, Mobil SHC lubricants provide:



### Safety

- Reduced maintenance personnel exposure to hazardous conditions



### Environmental Care

- Reduced used oil disposal



### Productivity

- Longer oil life and regreasing intervals to reduce maintenance
- Longer component life, reducing equipment repair costs

## Industries

- Power generation — fired boilers
- Cement mills
- Refineries, steel mills and paper mills

## Key applications

- Carriage gear drive: ~1 gallon each
- Lance hub bearing — grease

## Products

- **Mobil SHC™ 600 Series oils**
  - Carriage gear drive
- **Mobilith SHC™ 007 grease**
  - Carriage gear drive to reduce leakage
- **Mobilith SHC™ Series greases**
  - Lance hub bearing



\*Visit [mobil.com/shc](http://mobil.com/shc) to learn how certain Mobil-branded lubricants may provide benefits to help minimize environmental impact. Actual benefits will depend upon product selected, operating conditions and applications.

Industrial  
Lubricants



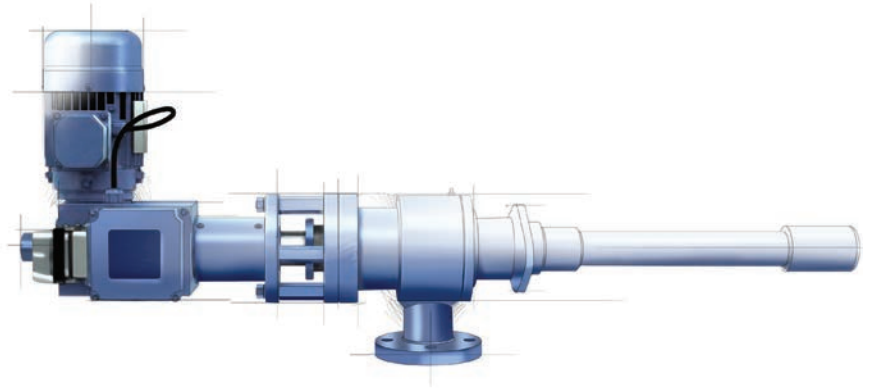
# Soot blowers

## Key equipment builder approvals

Mobil SHC™ lubricants are endorsed by leading screen builders, including:

- (Babcock & Wilcox ) B&W Diamond Power

Visit [mobil.com/industrial](https://mobil.com/industrial) to search by equipment builder name for the latest specific recommendations.



Note: Productivity Pointers are provided for the use of ExxonMobil and our authorized distributors. Schematics and product series recommendations are intended as a general guide. Please visit [mobil.com/industrial](https://mobil.com/industrial) for specific builder recommendations.

© 2017 ExxonMobil. All trademarks used herein are trademarks or registered trademarks of Exxon Mobil Corporation or one of its subsidiaries.

[mobil.com/shc](https://mobil.com/shc)